

GPI ***connection***

Revision from 08 April 2005

ForwardT Software 3.7.0

SoftLab-NSK, Ltd.

Notice

The information in this document is subject to change without prior notice in order to improve reliability, design, or function and does not represent a commitment on the part of this company.

In no event will we be liable for direct, indirect, special, incidental, or consequential damages arising out of the use or the inability to use the product or documentation, even if advised of the possibility of such damages.

Copyright © 1997 - 2005 SoftLab-NSK, Ltd.
All Rights Reserved.

No part of this reference manual may be reproduced or transmitted in any form or by any means without the prior written permission of this company.

Throughout this manual, we make reference to product names that are trademarks of other companies. We are using these names for identification purposes only, with no intention of infringement of the trademarks.

FCC Information

FCC ID:

This equipment has been tested and found to comply with the limits for a Class B digital device, pursuant to Part 15 of the FCC Rules. These limits are designed to provide reasonable protection against harmful interference in a residential installation. This equipment generates uses and can radiate radio frequency energy and, if not installed and used in accordance with the instructions, may cause harmful interference to radio communications. However, there is no guarantee that interference will not occur in a particular installation. If this equipment does cause harmful interference to radio or television reception, which can be determined by turning the equipment off and on, the user is encouraged to try to correct the interference by one or more of the following measures:

- Reorient or relocate the receiving antenna.
- Increase the separation between the equipment and receiver.
- Connect the equipment into an outlet on a circuit different from that to which the receiver is connected.
- Consult the dealer or an experienced radio/TV technician for help.

Shielded cables and I/O cards must be used for this equipment to comply with the relevant FCC regulations. Changes or modifications not expressly approved in writing by SoftLab-NSK, Ltd. may void the user's authority to operate this equipment.

Limited Warranty

Our company warrants this product against defects in materials and workmanship for a period of one year from the date of purchase. During the warranty period, products determined by us to be defective in form or function will be repaired or replaced at our option, at no charge. This warranty does not apply if the product has been damaged by accident, abuse, misuse, or as a result of service or modification other than by us.

This warranty is in lieu of any other warranty expressed or implied. In no event shall we be held liable for incidental or consequential damages, such as lost revenue or lost business opportunities arising from the purchase of this product.

For connection of GPI-port to *FD300* board it is necessary to make the special cable for connecting of GPI-output of the video controller with a serial port of a computer in which *FD300* board is settled. Unsoldering of cable is displayed on Figure 1 and Figure 2 accordingly for 25- and 9-pin connector of a serial port.

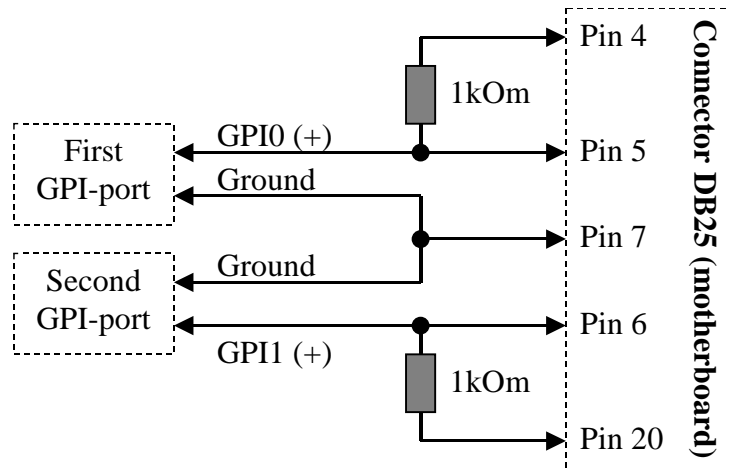


Figure 1. Unsoldering of 25-pin connector

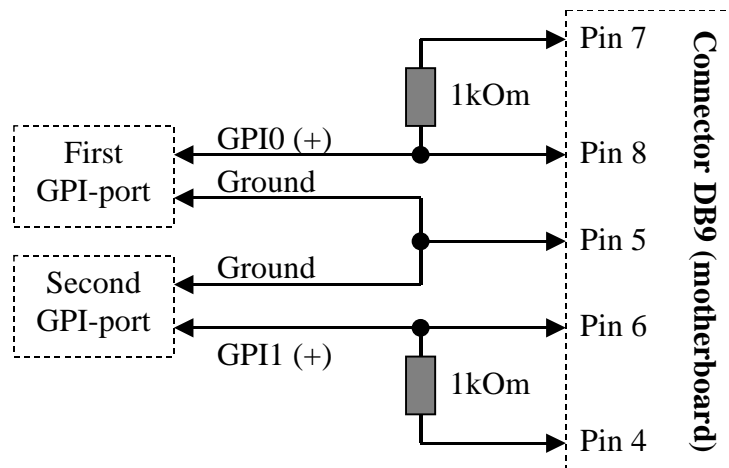


Figure 2. Unsoldering of 9-pin connector